



AC Surge Protection

Professional China quality AC Surge Protection Manufacturers and Suppliers.

YL1-C40 AC Surge protection device is suitably used in the TT, TN-S, TN-C, IT, TN-C-S and etc power supply system of AC 50/60Hz, <380V, installation on the joint of LPZ1 or LPZ2 and LPZ3, it is designed according to IEC61643-1, GB18802.1, it adopts 35mm standard rail, there is a failure release mounted in the module of surge protection device. When the SPD fails in breakdown for over-hart and over-current, the failure release will help electric equipment separate from the power supply system and give the indication signal, green means normal, red means abnormal, it also could be replaced for the module when has operating voltage.

Professional China Quality AC Surge Protection Manufacturers and Suppliers

1.AC Surge Protection Device 40ka Low voltage

YL1-C40 AC Surge protection device is suitably used in the TT, TN-S, TN-C, IT, TN-C-S and etc power supply system of AC 50/60Hz, <380V, installation on the joint of LPZ1 or LPZ2 and LPZ3, it is designed according to IEC61643-1, GB18802.1, it adopts 35mm standard rail, there is a failure release mounted in the module of surge protection device. When the SPD fails in breakdown for over-hart and over-current, the failure release will help electric equipment separate from the power supply system and give the indication signal, green means normal, red means abnormal, it also could be replaced for the module when has operating voltage.

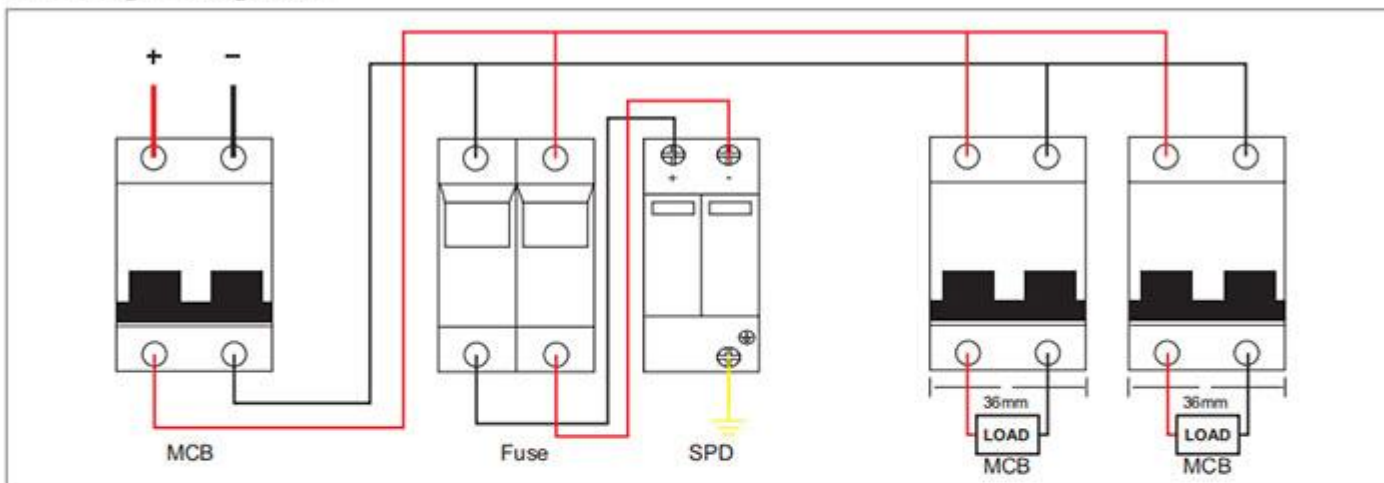
2.Product Parameters of our factory direct sale AC Surge Protection

Type	YL1-C40					
Protection level B,C,D Grade	D,C,B					
Rated Operating Voltage Un(V)	380V/220V					
Rated Operating Voltage Un(V)	275V	320V	385V	385V	385V	420V
Voltage protection level up(KV)	≤1.0	≤1.2	≤1.8	≤2.0	≤2.2	≤2.8
Maximum discharge current I _{max} (8/20μs)KA	5	10	20	30	40	60
Nominal discharge current I _n (8/20μs)KA	10	20	40	60	80	100
Response times	≤25					
Test Standard	IEC61643.1, GB18802.1					
Operating Environment	-40 degree to + 85 degree					

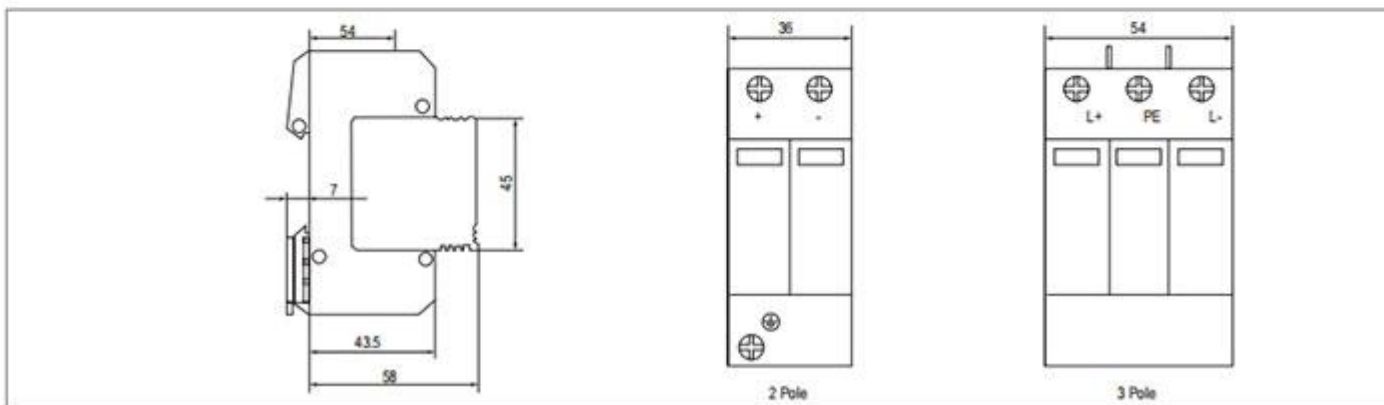
Max Connection Line	35mm ² hard wire/35mm ² strand wire copper line
Recommended Connection Line	16mm ² hard wire/25mm ² strand wire copper line
Installation	Standard Rail 35mm
Material of outer covering	Burning -proof Nylon

Type2 Solar DC Surge Protective Device (DC SPD)

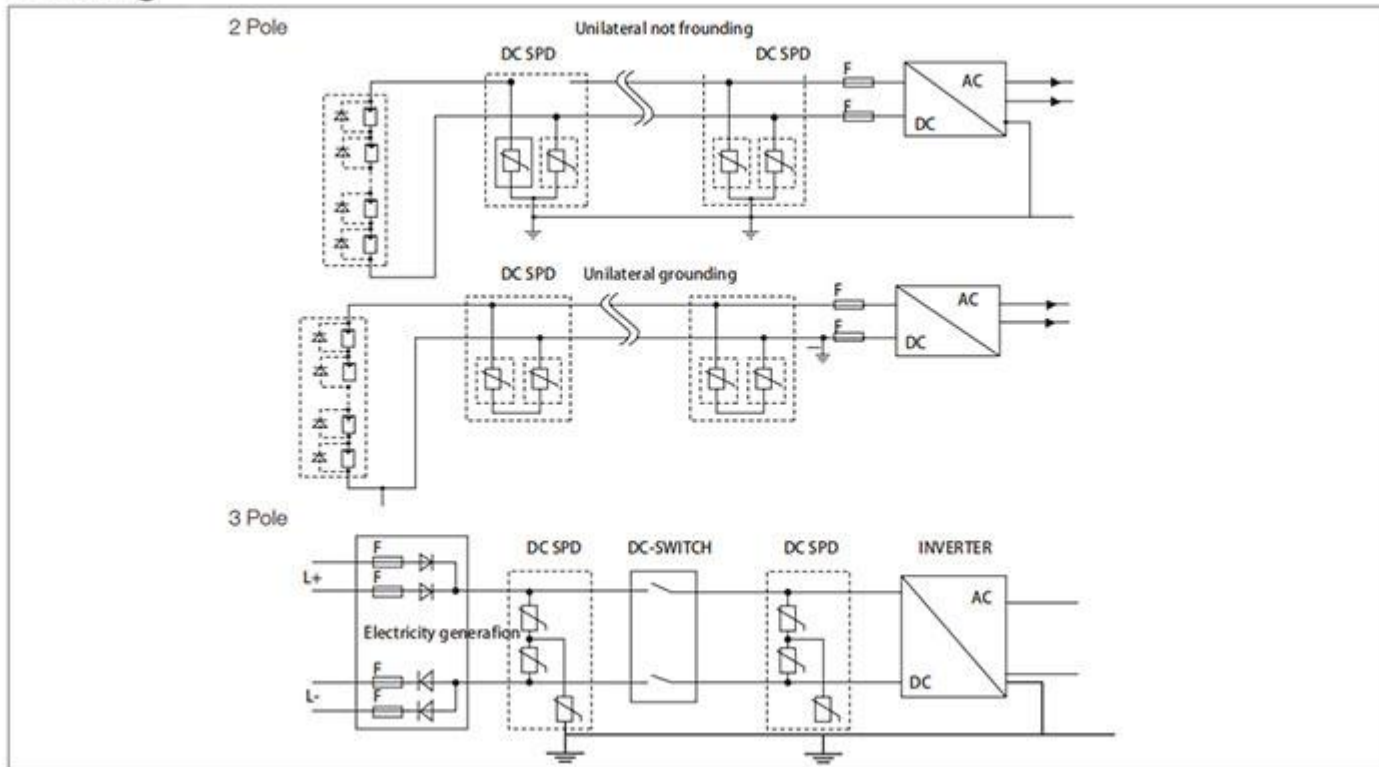
Wiring Diagram



Dimension



Drawing



3.FAQ

Q:When I can receive quotation and detail information after send the enquiry?

A:Reply will be sent in 24hours.

Q:What's the difference between you and other suppliers?

A:We have our own design box with PC/ABS material.

Q:Do you provide samples ? is it free or extra ?

A:Yes, we could offer the sample for free charge but do not pay the cost of freight.

Q:Can I get a sample for test before place order?

A:Of course!

Q:How's the delivery?Because I really need them is urgently?

A:Samples cost 2-3 days. Bulk order cost 12-15 days.



www.ylongelec.com

Q:If i want to release order, what's the payment method you accept ?

A:We accept T/T, Western union, Trade Assurance.